

12 July 2016

Date

Page 1 of 1

Benjamin Hughes-Brown

FIEAust CPEng NER

Chartered Professional Engineer

FPAA Professional Engineer

CPEng, NER (Fire Safety / Mech) 2590091, RPEQ

11498, BPB-C10-1875, EF-39394, TDJ-CC6504

MFireSafety (UWS), BEng (UTS),

GradDipBushFire (UWS), DipEngPrac (UTS),

To Whom It May Concern:

Ignis Solutions has been engaged by ResCom to evaluate the StreamlinePLUS fixing system in comparison with the Cassette panel installation example with respect to the impact on fire safety.

The StreamlinePLUS system system is a pure non-combustible system that does not include a highly combustible backing rod or silicon.

The system maintains a mechanical fixing system. When used with the ResCom Board or an Aluminium Composite Panel containing either a non-combustible core or combustible core of no less than 70% mineral base (being a Plus, FR or A2 panel) the Streamline Plus system is considered to provide an equivalent level of fire safety performance to that of the Cassette Panel installation. It is considered that the Streamline PLUS installation system can be installed and maintain compliance with panels certified under the CodeMark Certification Scheme.

FIGURE 1:
STREAMLINE PLUS INSTALLATION EXAMPLE

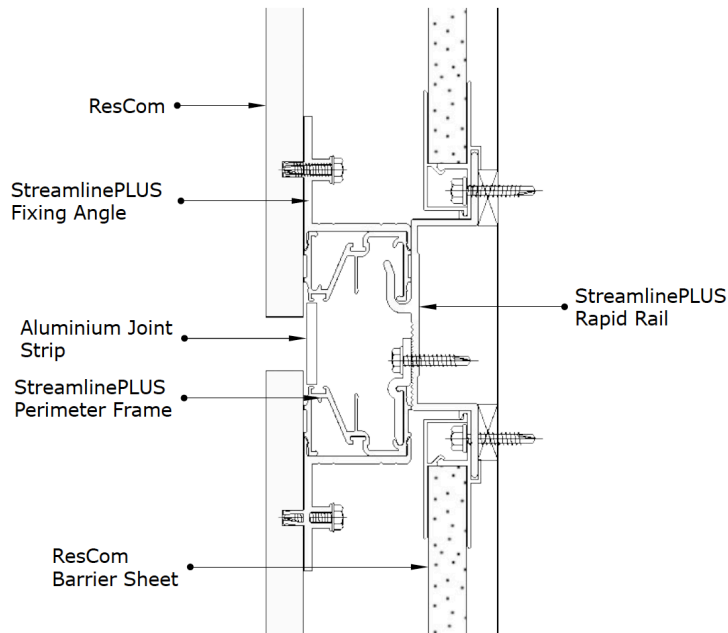


FIGURE 2:
CASSETTE PANEL INSTALLATION EXAMPLE

